

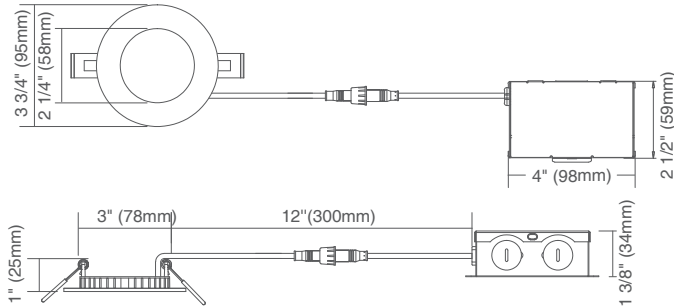
Low-profile, edge-lit design

Features

- Edge-lit technology, no glare or dark spots, instant-on
- No existing recessed housing or junction box required
- Dimming: TRIAC down to 10%
- I.C. rated for direct contact with insulation
- Suitable for WET LOCATION
- Rated for a long life - over 50,000 hours
- 5-color field selectable CCT - 2700K, 3000K, 3500K, 4000K, 5000K



DIMENSIONS



INSTALLATION

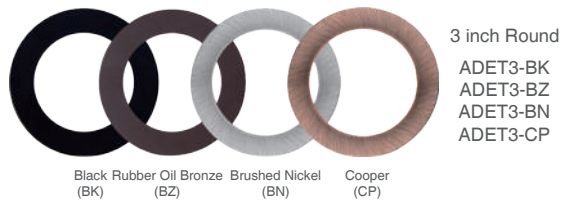


Accessories

Extension Cables

- FLEX-4**
4ft flexible connector, for use with Gimbal/ slim LED fixtures
- FLEX-6**
6ft flexible connector, for use with Gimbal/ slim LED fixtures
- FLEX-10**
10ft flexible connector, for use with Gimbal/slim LED fixtures
- FLEX-20**
20ft flexible connector, for use with Gimbal/slim LED fixtures

Decorative Trim Ring



Mounting Plate



SPECIFICATIONS	
Model	DLDD3-3CCT
Watts	8W
Size	3in
Default Driver Input	AC120V,60HZ
Light Output(lm)	500lm
Color Temperature(K)	3-color field selectable CCT - 3000K, 4000K, 5000K
CRI	90Ra (80Ra Optional)
Dimming	Triac Dimming
Power Factor	>0.9
Approved Location	Wet Location
Air Tight	Yes
Operating Temp.	(-4°F~104°F) -20~40°C
Beam Angle	120°
PACKAGE	
Weight.(g)	300g
Qty/CTN (pcs)	18pcs/CTN
Box Dimension	345*235*250mm
Gross Weight	6.5kg/CTN