

# 3.5" Round Regress Gimbal Downlight

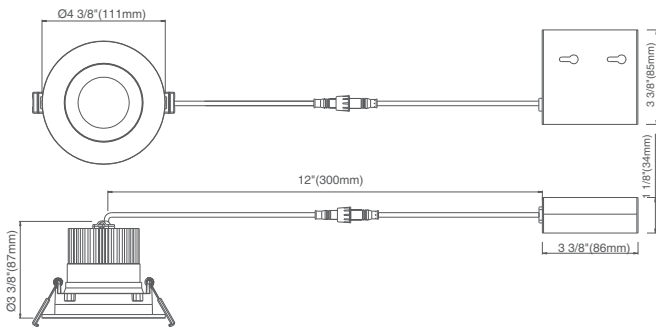


## Features

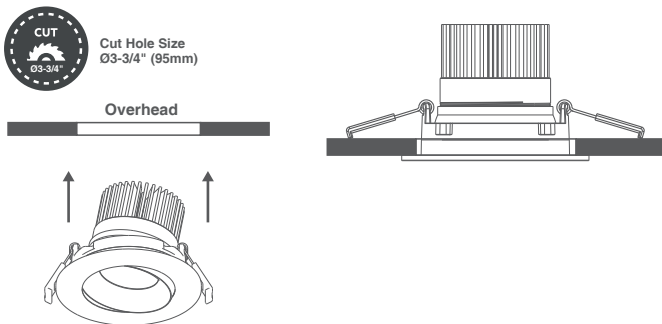
- \* Durable Aluminum body with adjustable gimbal
- \* Simple snap-in installation is fast and easy
- \* Tilting gimbal light source for directional lighting
- \* I.C. rated for direct contact with insulation
- \* No housing required
- \* Input voltage: AC 120V 60Hz
- \* 100-10% dimming capability this fixture is compatible with industry standard TRIAC/ELV dimmers
- \* Rated for a long life - over 50,000 hours
- \* Suitable for WET LOCATION
- \* Field selectable 2700K /3000K/3500K/4000K /5000K



## DIMENSION



## INSTALLATION



SPECIFICATIONS	
Model	DLDD-35-5CCT WHITE (BLACK)
Watts	12W
CRI	90Ra or 80Ra
Color Temperature(K)	Field selectable 2700K /3000K/3500K/4000K /5000K
Light Output(lm)	800lm
Default Driver Input	AC120V,60Hz
Dimming	Triac Dimming
Power Factor	>0.9
Approved Location	Wet Location
Air Tight	Yes
Operating Temp	(-4°F~104°F) -20~40°C
Beam Angle	38°

PACKAGE	
Weight.(g)	530g
Qty/CTN (pcs)	18pcs/CTN
Box Dimension	435*325*325mm
Gross Weight	11.8kg/CTN

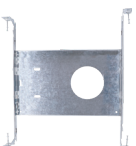
## INCLUDED IN BOX

### 3.5" Round Regress Gimbal Downlight



## ACCESSORIES

**Mounting Plate**



**MP-95**  
new construction pre-mounting plate with hanger bars opening Ø3-3/4" (95mm)