



Slide Switch Adjustable CCT
 Can be set to 2700K,3000K,
 3500K,4000K,5000K



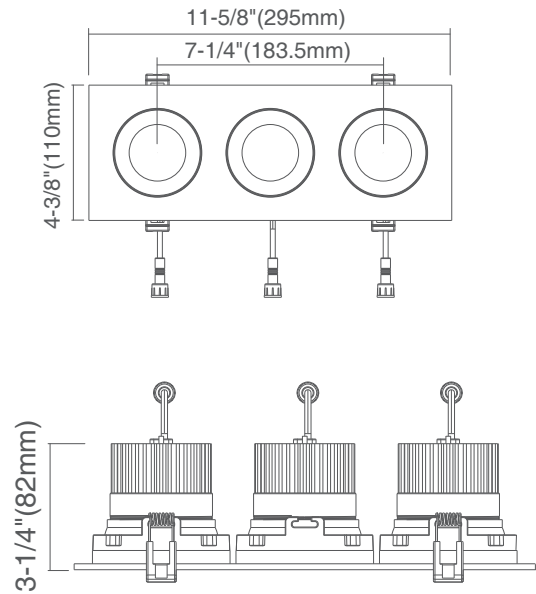
Features

- Durable aluminum body with adjustable gimbal
- Type IC, Air-Tight - No Housing Required
- Tilting gimbal light source for directional lighting
- I.C. rated for direct contact with insulation
- Suitable for WET LOCATION
- Round, Square, 2 heads, 3 heads available, perfect choice for residential or commercial lighting applications

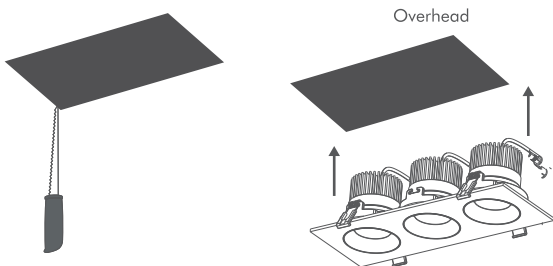


SPECIFICATIONS	
Model	DLDD-COMBO-3
Sizes	3 heads
Watts	36W
Light Output(lm)	2700lm
Color Temperature(K)	Field selectable 2700K /3000K/3500K/4000K /5000K
CRI	80Ra or 90Ra
Default Driver Input	AC120V 60Hz
Dimming	Triac Dimming
Power Factor	>0.9
Approved Location	WET LOCATION
Air Tight	YES
Operating Temp.	(-4°F~104°F) -20~40°C
Beam Angle	38°

DIMENSIONS



INSTALLATION



Cut Hole Size
 one head: Ø3-3/4"(95mm)
 two heads:7-1/4"×3-3/4" (185×95mm)
 three heads:10-7/8"×3-3/4" (275×95mm)

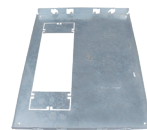
ACCESSORIES

Emergency Backup



AL-GM30-1500600
 15W Emergency Driver
 AC100-347 VAC 50/60Hz,
 emergency time 90mins,
 Battery Li-ion battery, 14.8V/2000mAh

Mounting Plates



MP-COMBO
 This MP-COMBO is a pre-mounting plate
 for COMBO downlight
 opening: two heads: 7-1/4"×3-3/4" (185×95mm)
 opening: three heads: 10-7/8"×3-3/4" (275×95mm)