

4" Round Regress Gimbal Downlight

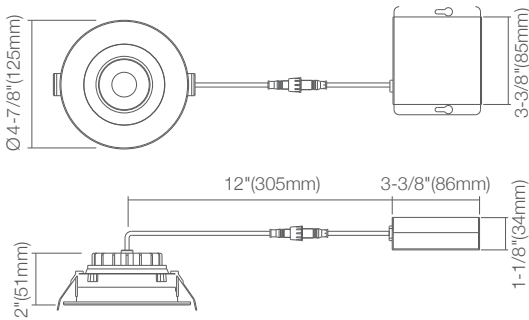


Features

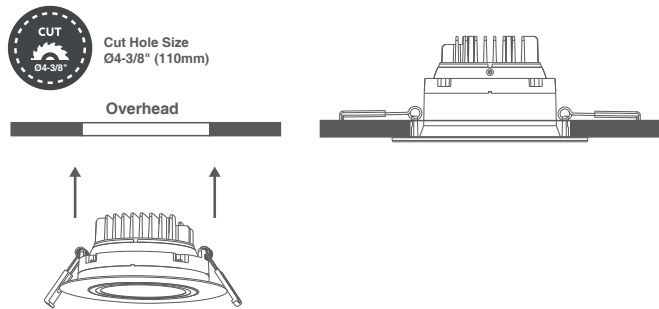
- * Durable Aluminum body with adjustable gimbal
- * Simple snap-in installation is fast and easy
- * Tilting gimbal light source for directional lighting
- * I.C. rated for direct contact with insulation
- * No housing required
- * Input voltage: AC 120V 60Hz
- * 100-10% dimming capability this fixture is compatible with industry standard TRIAC/ELV dimmers
- * Rated for a long life - over 50,000 hours
- * Suitable for WET LOCATION
- * Field selectable 2700K /3000K/3500K/4000K /5000K



DIMENSION



INSTALLATION



SPECIFICATIONS	
Model	DLDD-4RG-5CCT WHITE(BLACK)
Watts	12W
CRI	90Ra or 80Ra
Color Temperature(K)	Field selectable 2700K /3000K/3500K/4000K /5000K
Light Output(lm)	800lm
Default Driver Input	AC120V,60Hz
Dimming	Triac Dimming
Power Factor	>0.9
Approved Location	Wet Location
Air Tight	Yes
Operating Temp	(-4°F~104°F) -20~40°C
Beam Angle	38°

PACKAGE	
Weight.(g)	610g
Qty/CTN (pcs)	20pcs/CTN
Box Dimension	345*285*575mm
Gross Weight	13.7kg/CTN

Notes:
 * XX represents different CCT, 27 for 2700K;3 for 3000K; 35 for 3500K; 4 for 4000K; 5 for 5000K
 * YY represents different color finish, WH for white; BN for brushed nickel; BK for Black; BZ for Bronze.
 Example: AD-LED-4-S12W-5CCTYY-LREY

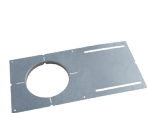
INCLUDED IN BOX

4" Square Regress Gimbal Downlight



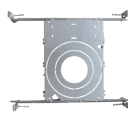
ACCESSORIES

Mounting Plate



MP4

The MP4 is a 4" new construction pre-mounting plate with collar for use with screw down "C" style remodel housings opening 4-3/8" (110mm)



MP-UNV-346

The MP-UNV-346 is a 3 3/4" x 6" new construction pre-mounting plate opening 3" (75mm), 4-3/8" (110mm), 6-1/4" (160mm)