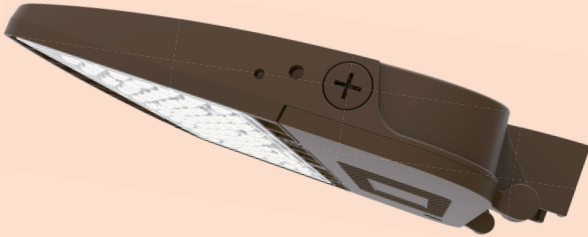


LED SHOEBOX LIGHT



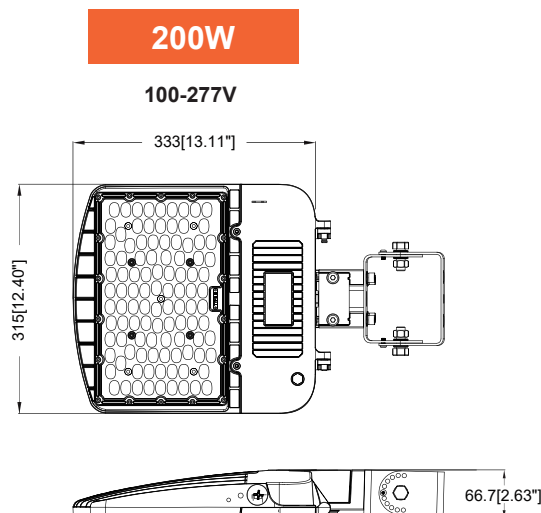
This area light features outstanding photometric performance, uniform illumination, low-profile design, high efficacy, long lifespan, and easy installation. The one piece die-cast aluminum housing with UV resistant powder coat finish offers outstanding corrosion protection. Ideal for use in various commercial environments, such as auto dealerships, parking lots, walkways, roadways, campuses, facade lighting, grocery stores and other public areas.



Product Features

- ★ High efficiency LED Driver, the wide range input voltage 100-277VAC.
- ★ Lumileds LED high luminous efficiency and long life.
- ★ Cast aluminium design, better cooling and easy replacement, light quality, LEDTj<185°F.
- ★ Excellent optical design, greatly improve the light utilization and evenness.
- ★ Photocell Control Available (Option).

Product Dimension



Lighting Parameters

Part No.		Input Voltage		Frequency		Power		Rated Current		CCT	
MS-AR07-200W-X-XXX(XXX)		AC100-277V		50/60Hz		200W		2.2A		3000K 3500K 4000K 4500K 5000K 5700K	
Model	CET	Angel	LE.	CRI	Working tem.	Life span	Lamb shell				
LUMILEDS	UL	TYPEIII-M TYPEIV-S TYPEV-S	130LM/W	Ra>80	-40°F ~+113°F -40°C ~+45°C	>50000	BROWN BLACK				

Extended function

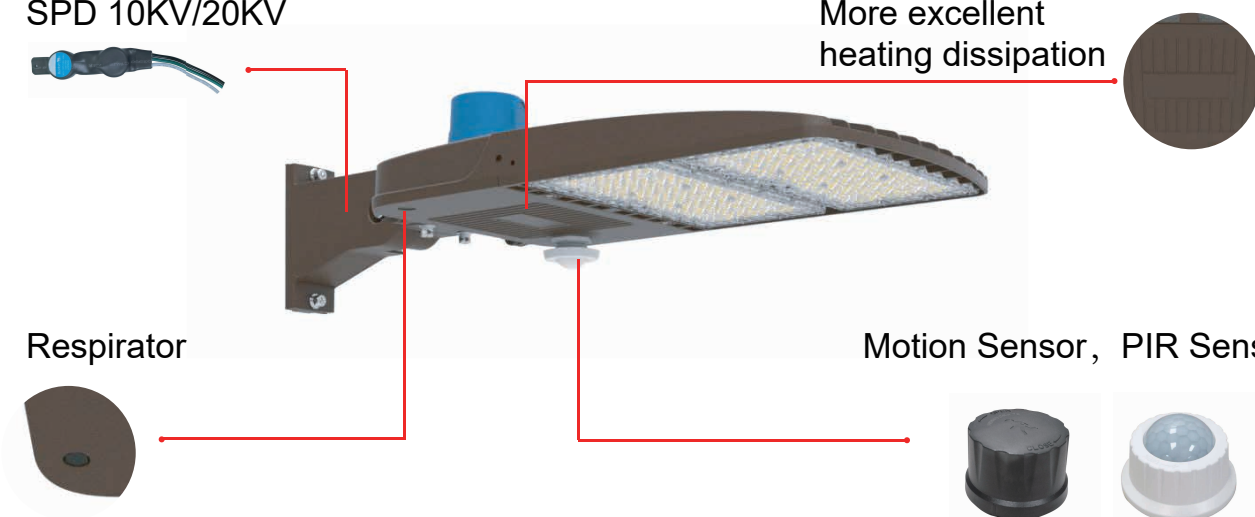
New Revolution, No Cover Plate, No Socket Base, No Shorting Cap: Saving 2USD

SPD 10KV/20KV

More excellent heating dissipation

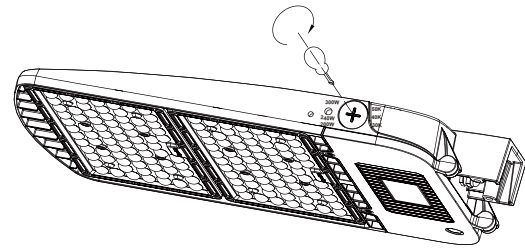
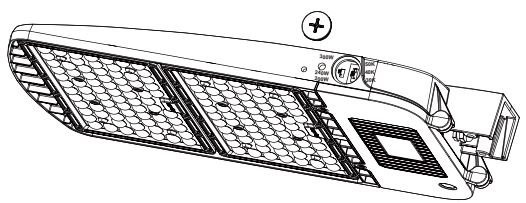
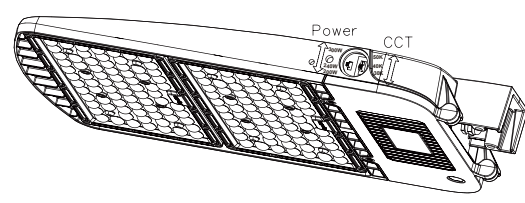
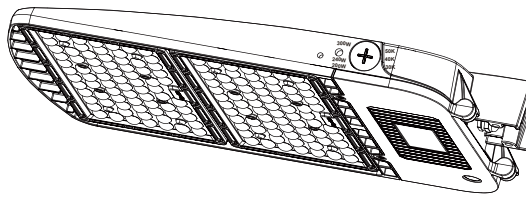
Respirator

Motion Sensor, PIR Sensor



CCT/Wattage Selectable

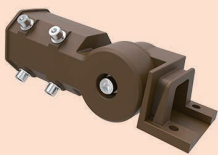
1. Adjust power and color temperature installation :

<p>1. Unscrew the plug screws using screws, as shown in Figure 1.</p> 	<p>2. Remove the plug screw, as shown in Figure 2.</p> 
<p>3. Flip the color temperature switch to the desired color temperature, flip the power switch to the desired wattage, as shown in Figure 3.</p> 	<p>4. Install plug screws and tighten them with a screwdriver, as shown in Figure 4.</p> 

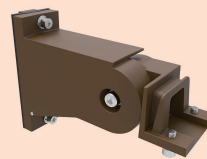
Product Application

Accessories mounting brackets

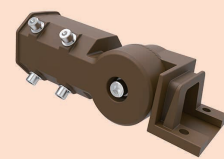
TYPE A (Slip-fitter)



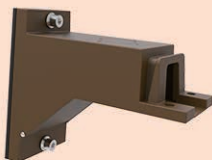
TYPE B (Square/Round pole mount with slip-fitter function)



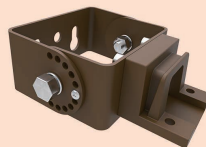
TYPE A+B



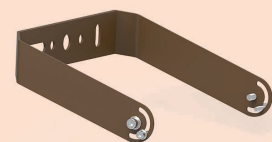
TYPE C (Square/Round pole mount)



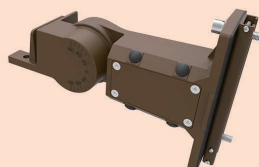
TYPE D (Trunion)



TYPE E (Yoke)



TYPE F (Slip fitter+ Arm mounted)

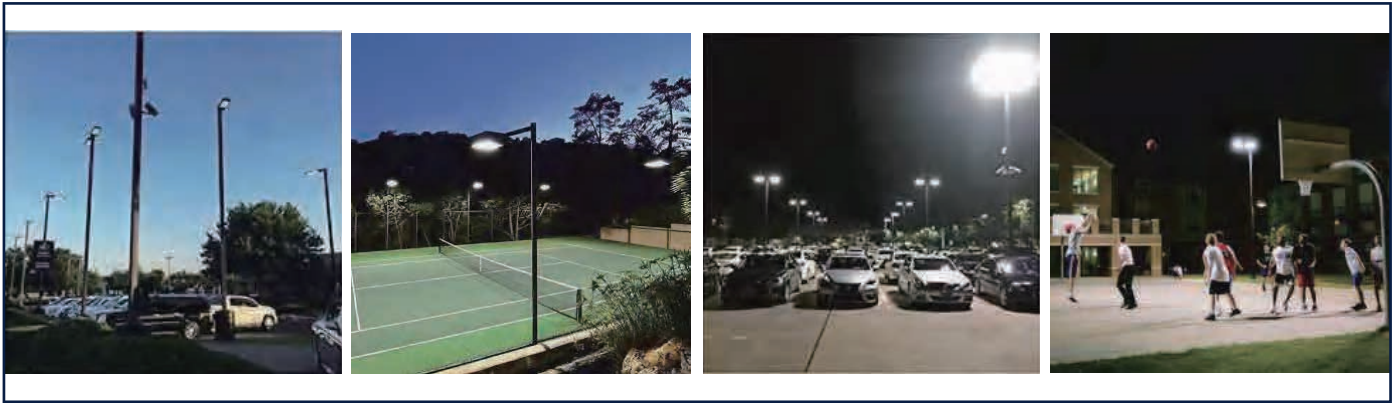


Packing/Weight

The fixture and bracket will be packed separately.

Fixture	Outer box (L*W*H)	Qty/Ctn (pcs)	N.W/pcs (lbs/Kg)	G.W/pcs (lbs/Kg)	Remarks
200W	21.38**14.37**4.92" 543*365*115mm	1	6.97/3.16	8.86/4.02	1.0M cable

Product Application



Safety Information

- 1、 Using the standard working voltage: AC100~277V, 50/60Hz, do not exceed.
- 2、 Be sure the power supply is turned off before installation.
- 3、 Switch off power of the mains supply or the connection lead respectively before doing any works.
- 4、 Please note waterproof, dustproof, electricity prevention and shockproof for the external power wires.
- 5、 Directly bolts on the installation stem through the hole on the mounting bracket.
- 6、 Be sure the connection between the wires is in good condition when install the lamps, beware of leakage.
- 7、 Please read the specification carefully before installation.
- 8、 The complete installation must be handled by an electrical expert.