



## LED Linear Highbay

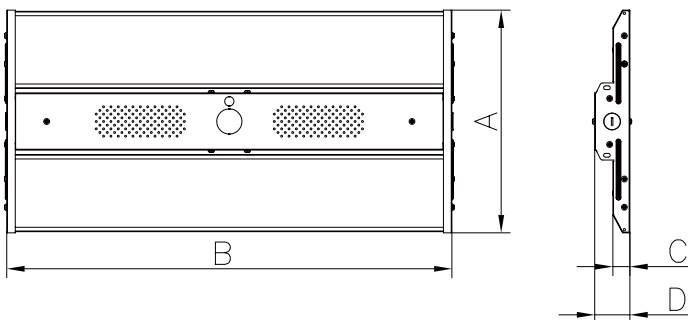
LED Linear high bay lighting is a popular choice in warehouse lighting. They are easy to hang with two gibber cables and easy to connect with the junction box right on back. Popular for their wide light distribution, they are a great choice for going LED and saving energy.



## Product Features

1. UL, CUL & FCC listed; With LM79 & LM80;
2. 2ft: 165W MAX & 220W MAX available;
3. High luminous efficacy 140lm/w;
4. 0-10V dimming;
5. PF>0.90, driver efficiency > 87%; THD<20%;
6. Installation: chain mounting;
7. Suitable for dry/damp location;
8. Designed for warehouses, gymnasiums, and industrial spaces;
9. CCT: 4000K & 5000K & 5700K & 6500K ;
10. Power tunable and CCT Switchable available ;

## Product Dimension



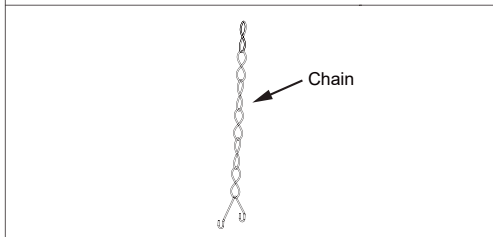
Part No.	A	B	C	D
HBL06-110/165/220W	14.17"	23.62"	0.91"	1.87"

## // Specification

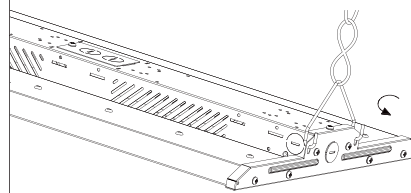
Name	Part No.	Power	Input Voltage	Input Current	PF	Light Efficacy	CCT	Ra
Linear high bay	HBL06-110/165/220W	110W/165W/220W	AC120-347V	2.017A	>0.9	140lm/W	3500K 4000K 5000K	80

## // Chain Installation

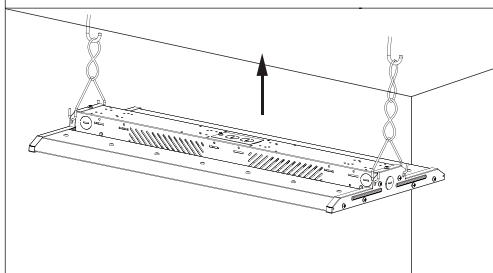
1. Hook the chain as below pic.



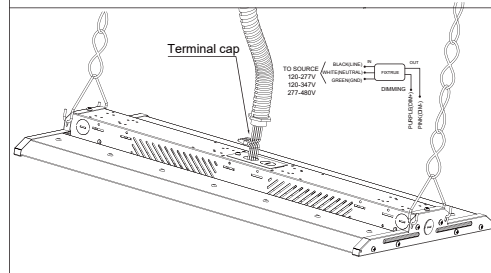
2. Insert the hook into the slotted holes, as shown below.



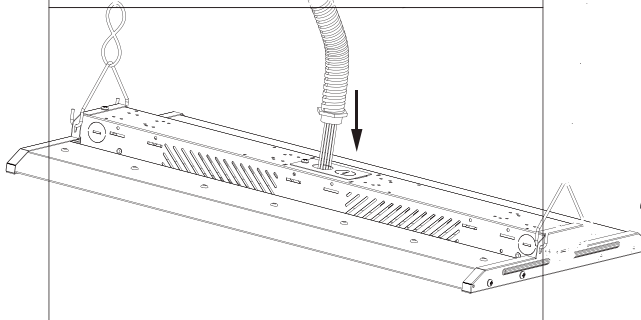
3. Hook up the chain on the ceiling anchor.



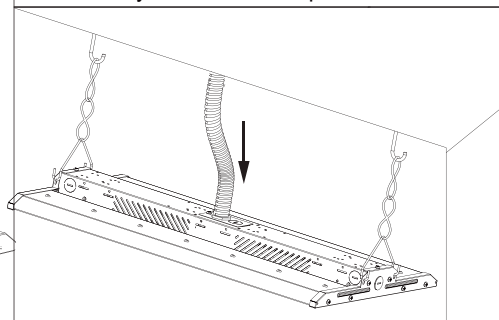
4. Turn off power, and make wiring connections with terminal cap (see wiring instruction below).



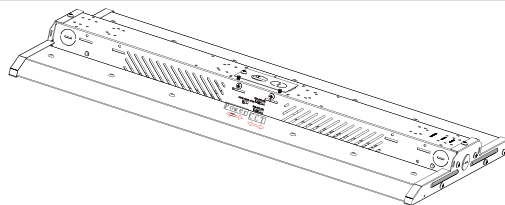
5. Insert the terminal cap and wires into the driver box.



6. Insert the wire terminal joint to the wire entry. Installation completed.



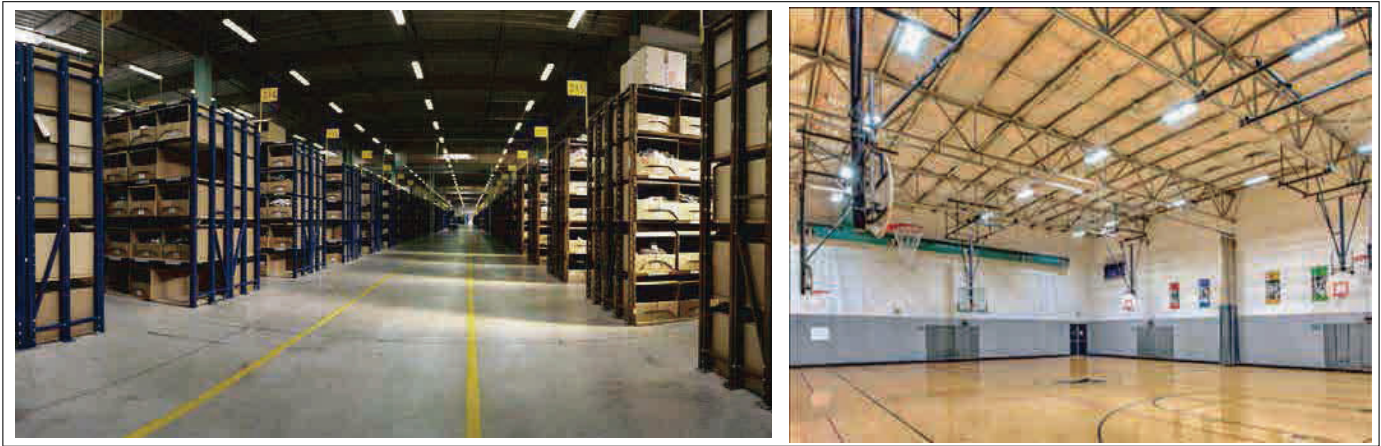
7. Flip the color temperature switch to the desired color temperature (note: if both toggle switches need to be dialed to the corresponding color temperature) : flip the power switch to the desired wattage, as shown in the figure.



## // Packing/Weight

Part NO.	Outer Carton Size (L×W×H)	Qty/Carton (pcs)	Net weight (lbs)	Gross weight (lbs)
HBL06-110/165/220W	(25.39" *6.89"*16.14 ") (645*175*410mm)	2	13.23	15.30

## // Applications



## // Note

- 1.The installation and maintenance must be completed by electricians or professionals.
- 2.Please cut off the power before installation and maintenance.
- 3.The thermally insulating material is not allowed to cover the fixture.
- 4.Please keep away from the corrosive substance, and keep the fixture dry and clean.
- 5.Working temperature: -4°F~122°F, storage temperature: -22°F~158°F.