

LED Architectural Linear Light



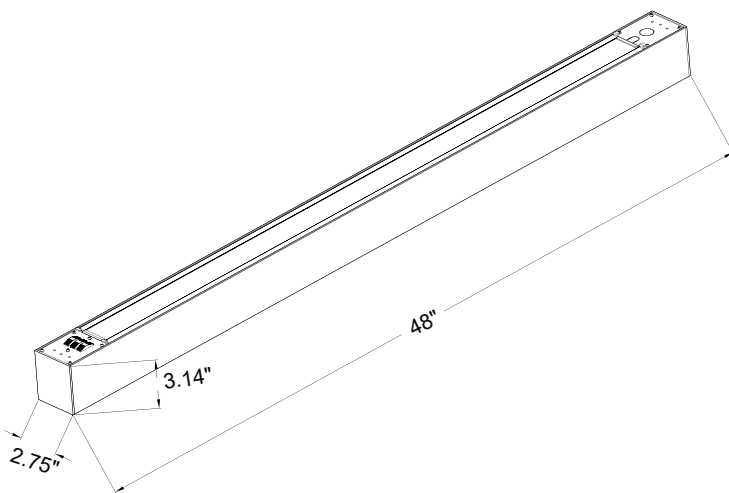
LED Architectural Linear Lighting with its slim design, this new linear strip light seamlessly blends flat high quality housing and precision optics to produce a sleek, subtle aesthetic that meets most office ceiling application needs, it is ideal for office spaces, supermarkets, and meeting rooms.



Features & Benefits

- ★ This LED Architectural Linear Light Series comes in both standard down lighting and DID (Direct Indirect) lighting options.
- ★ 0-10V Dimming, Universal voltage: 120-347V.
- ★ Wide application for: school, hospital, super market, office and warehouse.
- ★ Ability to link up to 8 fixtures in a continuous link.
- ★ Available in Black, Silver and White.
- ★ 5-years warranty.

Product Dimension



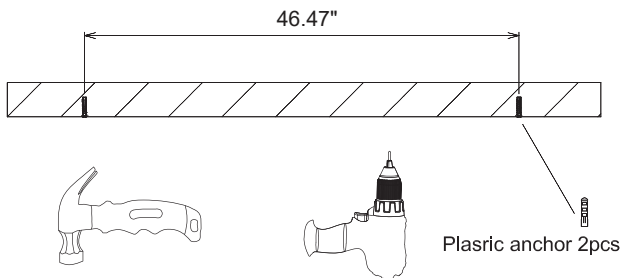
Model	L×W×H
MS-LS01-4FT40/32/24W -H-MV-TCP(XX)	1219.2x70x80(mm) / 48"x2.75"x3.14"

Specification

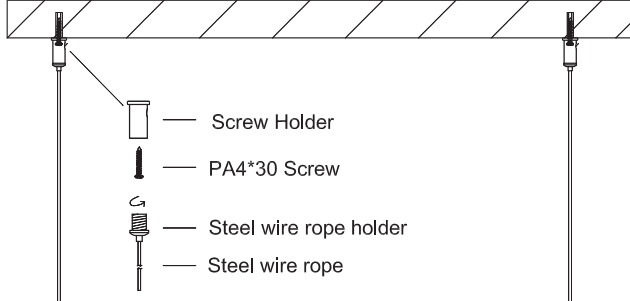
Part No.	Power	Input Voltage	Luminous Flux	Luminous Efficacy	CCT	Ra	PF	Warranty
MS-LS01-4FT40/32/24W-H -MV-TCP (XX)	40/32/24W	AC120-347V	4400LM	110lm/W	3500K 4000K 5000K	>80	>0.9	5 Years

Installation (Rope Suspension Installation)

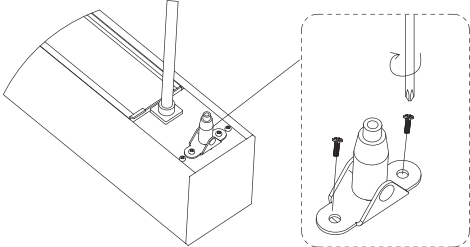
1. Drill a hole of 5.0mm in diameter at the location required for installation. Then install the plastic anchor to the hole with hammer.



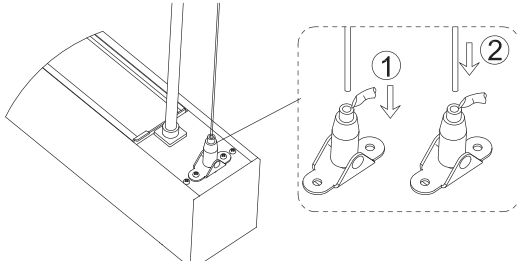
2. Insert PA4*30 Screws into the screw holder and then drill into the plastic anchor.



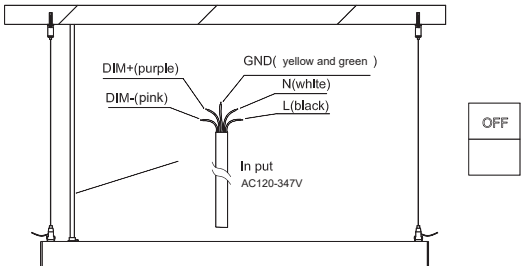
3. Lock the steel wire rope pedestal to the ends plates with PM4*8 screws.



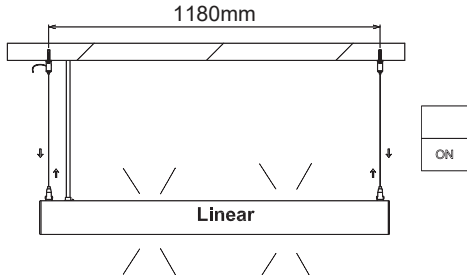
4. Press down the inner hole of the steel wire rope pedestal, let the steel wire rope go through the hole.



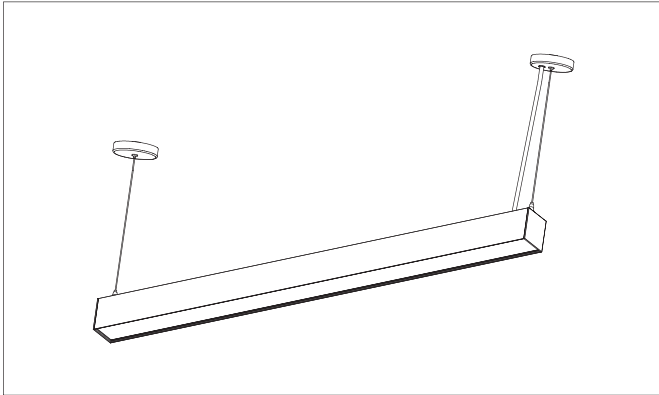
5. Connect L, N, GND, DIM+ and DIM- of AC input wire to L, N, GND, DIM+ and DIM- respectively of AC terminal.



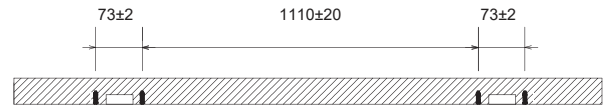
6. Press the to pend of the steel wire rope pedestal to adjust the steel wire rope, and then finish the installation.



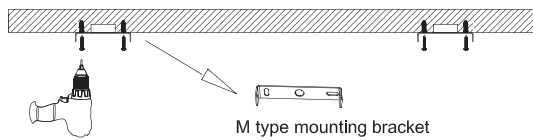
Installation (Canopy Suspension Installation)



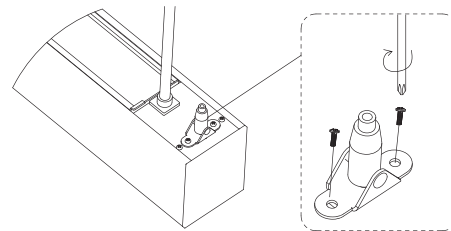
1. Drill a hole of 5.0mm in diameter as shown in the figure at the location required for installation. Then hammer the plastic anchor into the hole.



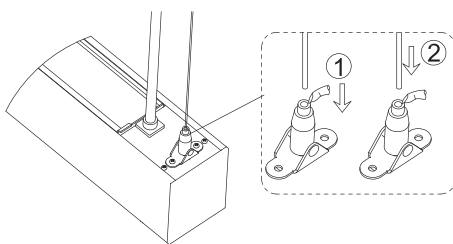
2. Insert PA4*35 screws into the M type mounting bracket and then drill into the plastic anchor.



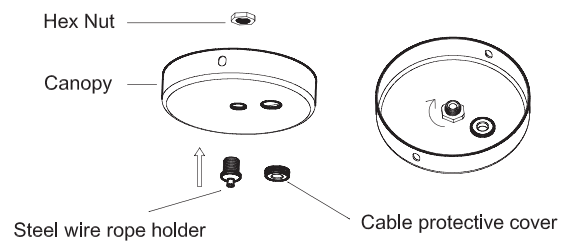
3. Lock the steel wire rope pedestal to the ends plates with PM4*8 Screws.



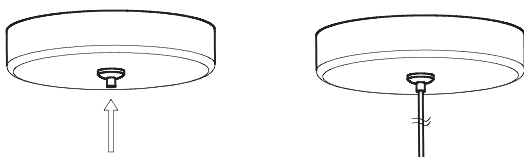
4. Press down the inner hole of the steel wire rope pedestal, let the steel wire rope go through the hole.



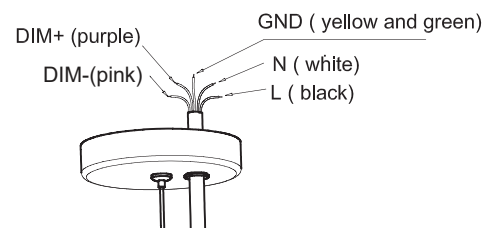
5. Insert the steel wire rope holder into the middle hole of the canopy and tighten the steel wire rope holder with hex nut; Clip the cable protective cover into the AC line hole of the canopy.



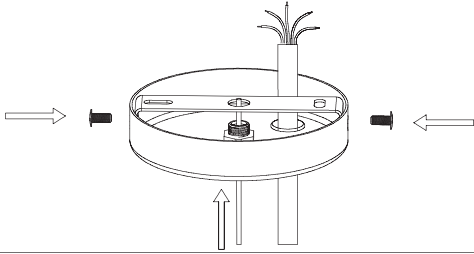
6. Press the steel wire rope holder as shown in the figure, and then insert the stainless steel wire into the inner hole of the steel wire rope holder. The mounting height of the lamp could be adjusted by this steel wire rope holder.



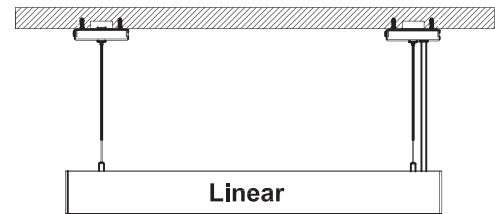
7. Insert the AC input cable through the cable protective cover and connect it with the AC line by the corresponding connection wire with L,N,GND.



8. Adjust the length of the AC input cable, align the side hole of the canopy and the M mounting bracket as shown in the figure, then tighten the screw.



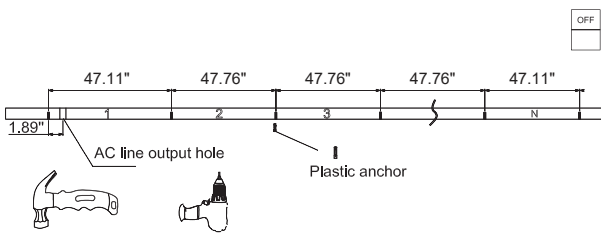
9. The installation is completed.



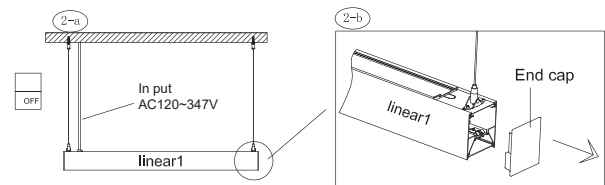
Installation (Linkable Installation)

Note: Only available for Linkable Products.

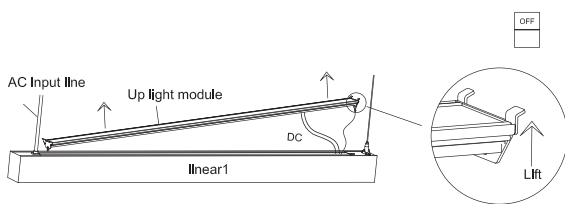
1. Measure the ceiling, make down the position for lineae1, install the first Linear Light to the ceiling as instruction of A Rope Suspension Installation.



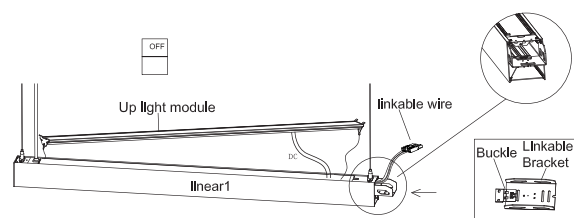
2. Install Linear 1, then connect AC line; remove one end cap as show on (2-b).



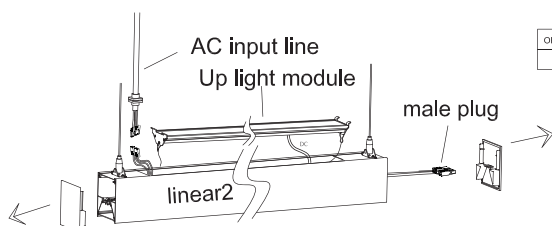
2-c. Lift up the up-light module as the picture shows.



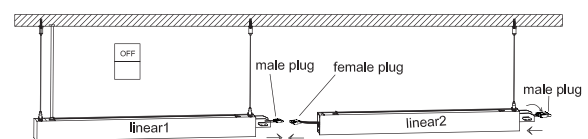
2-d. Insert the linkable bracket into the Linear 1, connect with buckle inside the Linear 1, take out the inside linkable wire. (Five color)



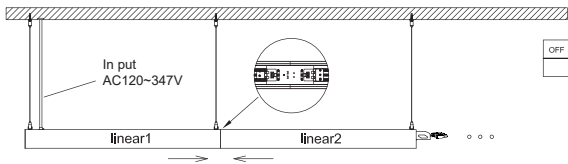
3. Insert the Linear Light as Step 2 and adjust the steel wire rope in the same height. Then Move out two end caps of Linear 2, lift up the up light module, disconnect the AC wire. Keep the female plug to the side ends.



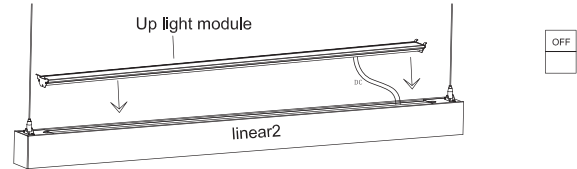
4. Connect the male plug of Linear 1 and female plug of Linear 2, insert the bracket to the Linear 2 make them seamless linkable together.



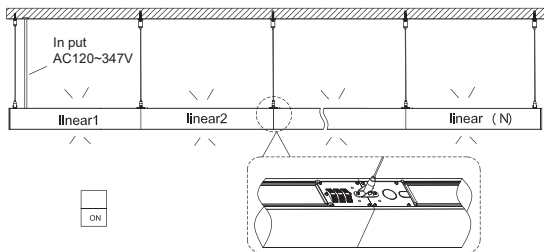
5. Check the status after linked, make sure no any gap between two linears.



6. Make sure the male and female plugs have been connected well, press down the up light module, put it back to the top of Linear 1 and Linear 2.



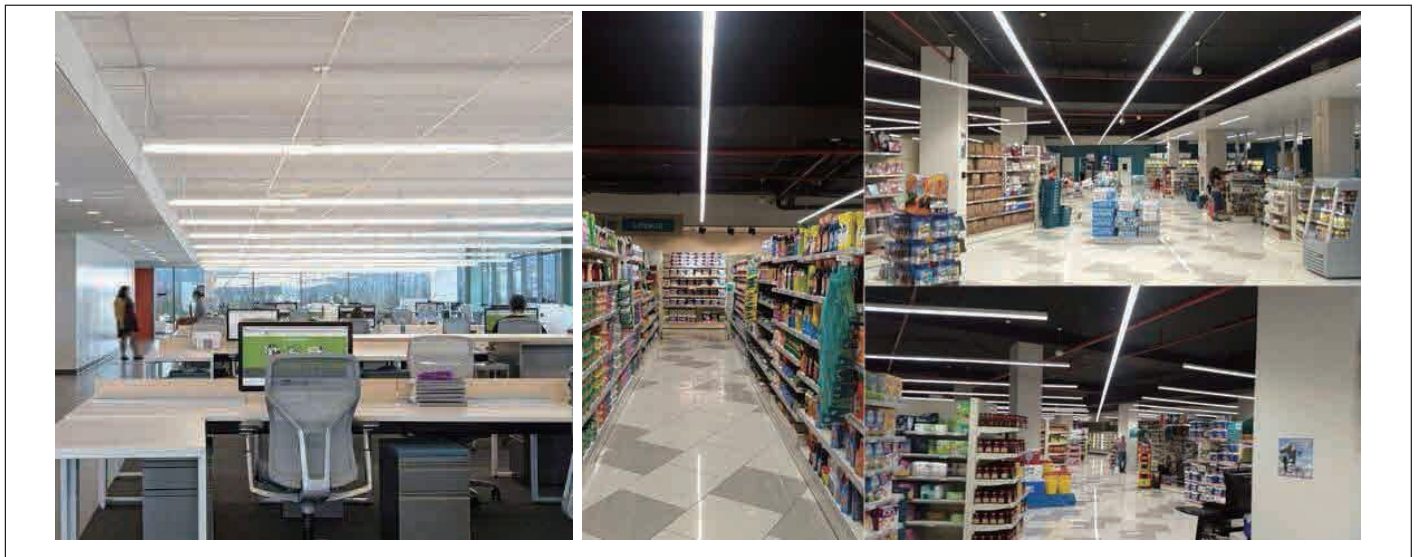
7. Install the Linear Light 3,4,5,6 and 7 as above method, keep one main input cord on one side for wiring and grounding, adjust the steel wire rope in the same height. Then finish the installation.




Packing Information

Power	Inner box (L*W*H)	Outer box (L*W*H)	Oty/Ctn (pcs)	N.W./Ctn (kg/lbs)	G.W./Ctn (kg/lbs)
40/32/24W	49.41"x4.13"x4.72" 1255x105x120mm	50.20"x9.06"x15.55" 1275x230x395mm	6	16.5/36.38	19.7/43.43


Applications





Warning

 Risk of fire or electric shock. Fixture installation requires knowledge of luminaires electrical systems. If not qualified, DO NOT attempt installation. Contact a qualified electrician.

 Risk of fire or electric shock. Suitable for wet locations. Always turn off the power supply before installation.

 Risk of fire or electric shock. Suitable for non-insulated surface and frame. DO NOT cover fixture with insulation liner or similar material.

 DO NOT install fixture on unstable, loose or easily breakable surface.

 DO NOT exert force on the surface of the fixture.

Note

- 1.The installation and maintenance must be completed by electricians or professionals.
- 2.Please cut off the power before installation and maintenance.
- 3.The thermally insulating material is not allowed to cover the fixture.
- 4.Please keep away from the corrosive substance, and keep the fixture dry and clean.
- 5.Working temperature: $-4^{\circ}\text{F}\sim 113^{\circ}\text{F}$, storage temperature: $-22^{\circ}\text{F}\sim 140^{\circ}\text{F}$.