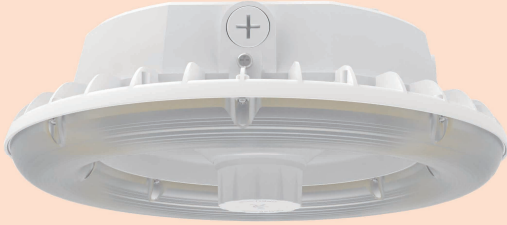


LED GARAGE CANOPY



The LED Garage and Canopy light is slim and durable with a lightweight design, and provides you with a visually appealing lighting experience. This luminaire can be surface mounted directly to the ceiling or pendant mounted using rigid conduit. Its light-weight design with quick and easy mounting plate allows simple installation and hands-free wiring. Whether it's new construction, or a retrofit installation, the Garage and Canopy fixture will provide years of trouble free operation and keep you on budget.

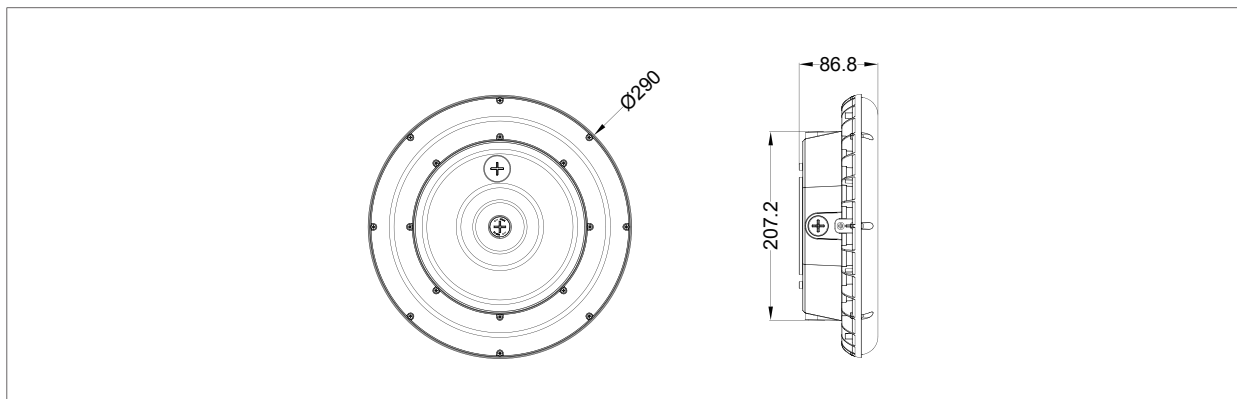


Product Features

- ★ Plug and Play sensor.
- ★ This garage lamp is a special design for application in places like parking garage, car port, driveway, underpass, etc;
- ★ Fins design, advective grooves between fins are good for heat dissipation;
- ★ Professional light distribution technique, high light reflectivity reflectors, 150° beam angle available; Light transmission rate of lens is over 90%;
- ★ It complies with UL certification, safe and reliable.
- ★ Power tunable and CCT selective functions are available.
- ★ It can install EM driver, meanwhile, Customer can DIY the plug sensor.

Product Dimension

80/60/40W



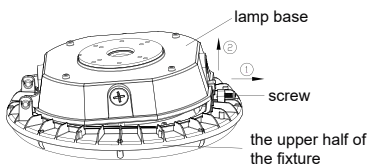
Lighting Parameters

Model Number	Wattage	Working Voltage	CCT	Lamp Bead Model	Lighting Efficiency	Color Rendering Index	Operating Temperature	Storage Temperature	Environment Location	Life span	Lamp shell
MS-GP06-80/60/40W-H-TCP(XX)-Y	80/60/40W	AC120-277V	3500K 4000K 5000K	2835 Lumileds	135LM/W	Ra>80	-40°F~113°F	-40°F~158°F	Wet Location	≥50000H	White

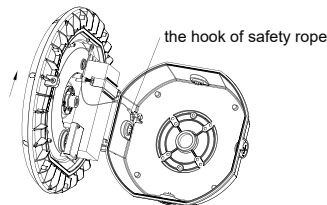
Installation Instruction

Ceiling Installation

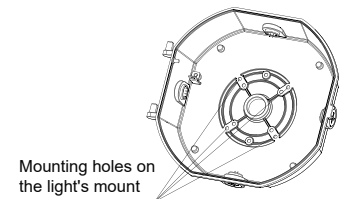
1. Use a screwdriver to unscrew the lamp screws and open the upper half of the fixture.



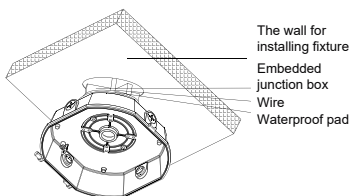
2. Remove the hook of safety rope and the upper part of the luminaire.



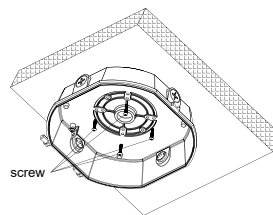
3. According to the embedded terminal box, punch the corresponding mounting hole on the light's mount.



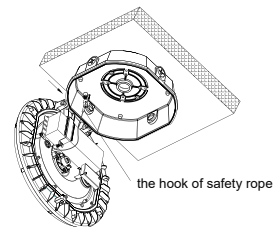
4. Put the input line in the embedded box passes through the waterproof pad and then passed through the lamp base.



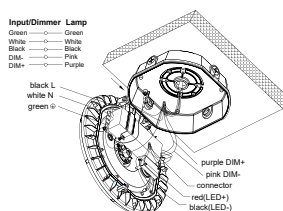
5. Use screw to lock the lamp base on the embedded junction box.



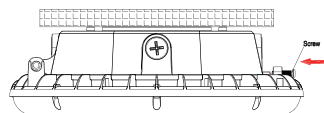
6. Attach the upper part of the luminaire and hang the safety rope hook.



7. Connect the input wire and the dimming wire of the light, then put the connected wires into the embedded terminal box. Connect the output wires of driver with the wires of PCB board.

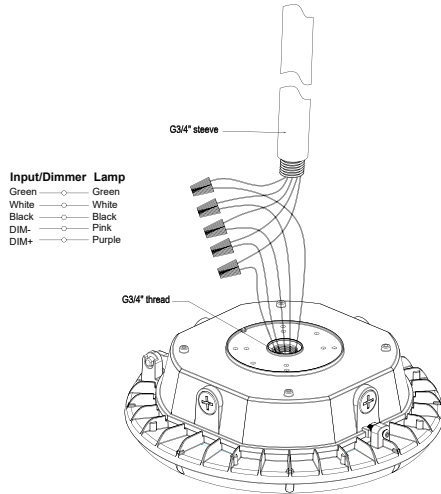


8. Secure the screw. Installation completed.

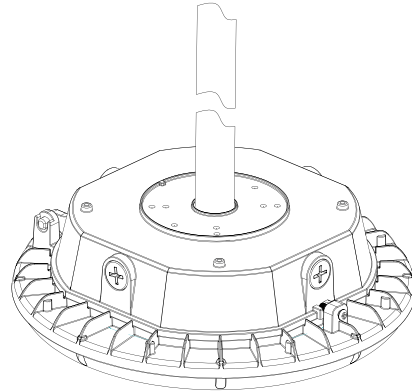


Pole-pendant Installation

1. Connecting wires with terminal caps as picture shows.

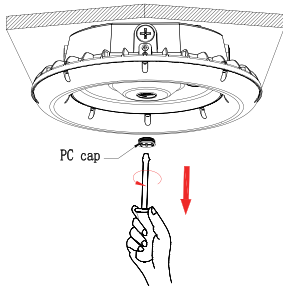


2. Rotating the steeve to make it fixed with lamp. Installation completed.

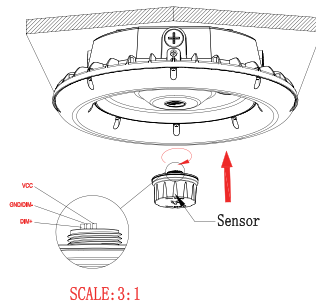


Plug sensor installation

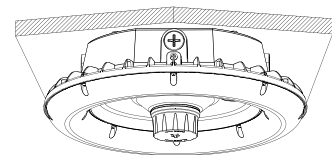
1. Unscrew the PC cap on the lampshade counter-clockwise with a flat-head screwdriver on the lamp which already installed.



2. Screw the sensor clockwise by hands.

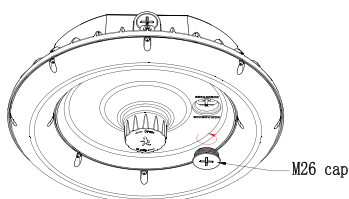


3. After tighten the sensor, Lighting the lamp, if the sensor works well, the installation finish.

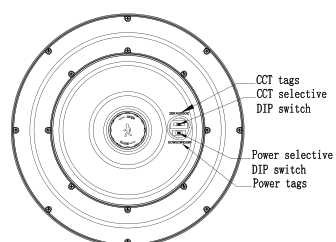


Function of CCT and power Selective

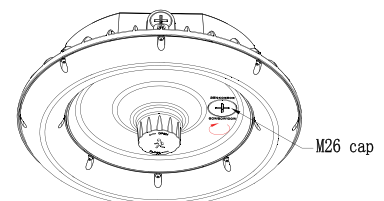
1. Before installation, unscrew the M26 cap counter-clockwise at the back of the lamp by slot type screwdriver.



2. According to the tags, customer can select the corresponding power and CCT dip switch, dial to the required power(40w/60w/80w) and CCT(35K/40K/50K).



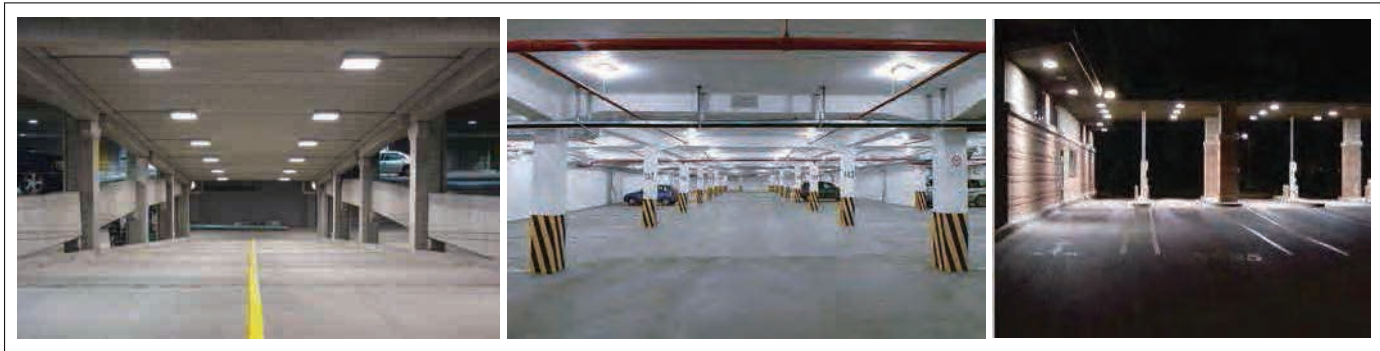
3. After finish the requires power and CCT adjustment, Tighten the M26 cap clockwise by slot type screwdriver.



Packing information

Model Number	Inner box (L*W*H)	Outer box (L*W*H)	Qty/Ctn (pcs)	N.W./Ctn (kg/lbs)	G. W./Ctn (kg/lbs)
MS-GP06-80/60/40W-H-TCP(XX)-Y	12.40"*4.37"*12.40" 315*111*315mm	18.27"*13.19"*13.19" 464*335*335mm	4	7.2/15.87	8.85/19.51

Applications



Safety Information

1. Only persons qualified for electrical work should carry out electrical work.
2. All wiring should be performed after shutting off electricity or power to the lighting fixture.
3. Do Not disassemble or modify the LED GARAGE CANOPY LIGHT.
4. Do Not drop the LED GARAGE CANOPY LIGHT. Take precautions to ensure the LED GARAGE CANOPY LIGHT does not experience any strong impact.
5. Keep this product Manual in a safe place for reference.
6. The manufacturer and/or the seller will not be held responsible for any damage caused to the LED GARAGE CANOPY LIGHT by the user(s) during installation .
7. Be sure to ground the fixture.
8. Do Not Handle lamps soon after the light has been turned off.
9. Do Not use the LED GARAGE CANOPY LIGHT near heating appliances/elements.